

→ **Type 646**

Type 646

Non-return valve made of
gunmetal



■ SUITABLE FOR

Liquids	neutral and non-neutral	
Air, gases and vapours	neutral and non-neutral	
Steam		

■ EXAMPLES OF USE

For automatic shut-off in vertical piping systems.
Heavy version without spring. Closes only by means of flowing media or the weight of the sealing element.

Due to all-metal design with metal-to-metal sealing for high temperatures, these valves are suitable for harsh operating conditions and hydraulic-automatic control.

■ NOMINAL DIAMETERS, CONNECTIONS, INSTALLATION DIMENSIONS

Type 646: Connection, Installation dimensions, Weight						
Nominal diameter	DN	15	20	25	32	40
Connection DIN EN ISO 228	G	1/2" (15)	3/4" (20)	1" (25)	1 1/4" (32)	1 1/2" (40)
Installation dimensions in mm	L	60	64	70	78	86
	SW	27	33	41	51	58
Weight	kg	0,2	0,3	0,5	0,7	1

■ MATERIAL



■ SPECIFICATION



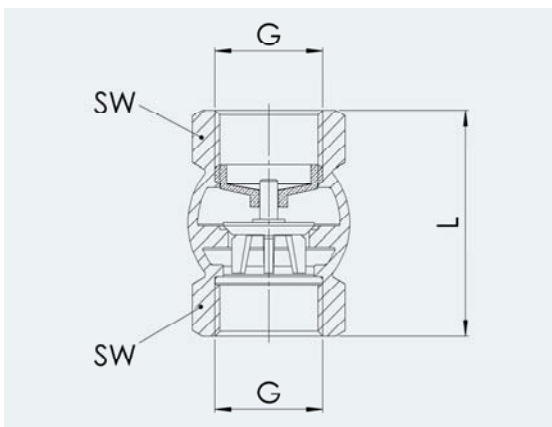
1/2" – 1 1/2"



from -10°C
to + 225°C



pressure-tight
up to 16 bar



■ MATERIALS

Component	Material	DIN EN	ASME
Body	Gunmetal	CC499K	CC499K
Internal parts	Brass/Gunmetal	CW617N/CC499K	CW617N/CC499K
Seal	Brass/Gunmetal	CW617N/CC499K	CW617N/CC499K