

→ **Type 620**

**Type 620**

Float valve made of gunmetal with copper float



■ SUITABLE FOR

Liquids	neutral and non-neutral	
---------	-------------------------	--

■ EXAMPLES OF USE

Venting of pressure tanks and -systems for filling and emptying and to purge liquid residues.

- heating systems in industrial- and building-technology
- venting of piping systems

The float valve has to be installed vertically at the highest point of the plant and at places where air build-ups can occur.

**Decompression** takes place, when the ball float is in the lowest position. In this position the air can freely escape through the valve. After decompression, the flowing water lifts the float and closes the valve so that no water can escape.

**Venting** takes place when the water level has dropped and the float releases the valve.

■ VALVE VERSION

**Type 620**

Air inlet and outlet via lateral bore holes in the seat screw  
Order example for type 620 with connection 3/8": 620-10

**Type 620d**

Air inlet and outlet via seat screw with female threaded connection for size 1/4", 3/8" or 1/2".

Order example for type 620d with connection 1/2" and seat screw with female connection 1/2": 620d-15 / 15

■ MATERIAL



■ SPECIFICATION



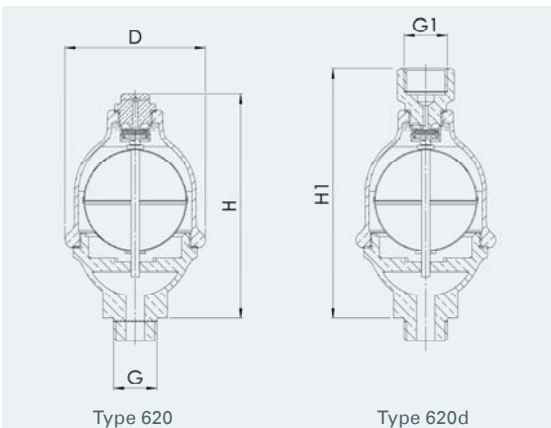
3/8" – 1/2"



from –30°C to + 120°C



pressure-tight up to 6 bar



■ NOMINAL DIAMETERS, CONNECTIONS, INSTALLATION DIMENSIONS

Type 620: Connection, Installation dimensions, Ranges of adjustment			
Nominal diameter	DN	10	15
Inlet DIN EN ISO 228	G	3/8" (10)	1/2" (15)
Decompression 620d DIN EN ISO 228	G1	3/8" (10)	1/2" (15)
Installation dimensions in mm	D	65	65
	H/H1	110 / 115	110 / 115
Weight	kg	0,75	0,8

■ MATERIALS

Component	Material	DIN EN	ASME
Body	Gunmetal	CC499K	CC499K
Internal parts	Brass	CW617N	CW617N
Float	Copper	CW024A	C12200
Seal	NBR		

<sup>1</sup> Other sealing materials against surcharge