

→ **Type 622**

**Type 622**

Air inlet valve made of brass,  
spring-loaded



■ SUITABLE FOR

Air, gases and vapours      neutral



■ EXAMPLES OF USE

For the protection of pressureless tanks and piping systems to avoid vacuum during discharging or cooling-down. These vacuum valves are also called „sniffing valves“. They open in case of a vacuum and release the air until the vacuum has been alleviated.

- emptying of tanks

■ NOMINAL DIAMETERS, CONNECTIONS, INSTALLATION DIMENSIONS

Type 622: Connection, Installation dimensions, Weight

Nominal diameter	DN	10	15	20
Connection DIN EN ISO 228	G	3/8" (10)	1/2" (15)	3/4" (20)
Installation dimensions in mm	H	55	55	66
	h	10	11	12
Weight	SW	22	22	29
	kg	0,08	0,08	0,15

■ MATERIAL



■ SPECIFICATION



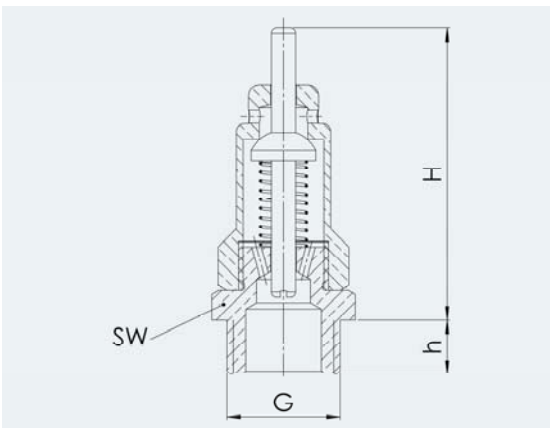
3/8" – 3/4"



from -10°C  
to + 225°C



pressure-  
less



■ MATERIALS

Component	Material	DIN EN	ASME
Body	Brass	CW617N	CW617N
Internal parts	Brass	CW617N	CW617N
Seal	Brass	CW617N	CW617N