

→ **Type 625**

Type 625

Air inlet valve made of brass,
weight-loaded



■ SUITABLE FOR

Air, gases and vapours neutral



■ EXAMPLES OF USE

For the protection of pressureless tanks and piping systems to avoid vacuum during discharging or cooling-down. These vacuum valves are also called „sniffing valves“. They open in case of a vacuum and release the air until the vacuum has been alleviated.

- emptying of tanks

■ NOMINAL DIAMETERS, CONNECTIONS, INSTALLATION DIMENSIONS

Type 625: Connection, Installation dimensions, Weight

Nominal diameter	DN	10	15	20	25
Connection DIN EN ISO 228	G	3/8" (10)	1/2" (15)	3/4" (20)	1" (25)
Installation dimensions in mm	L	48	48	54	54
	h	10	13	12	14
	SW	22	27	30	34
Weight	kg	0,05	0,06	0,08	0,11

■ MATERIAL



■ SPECIFICATION



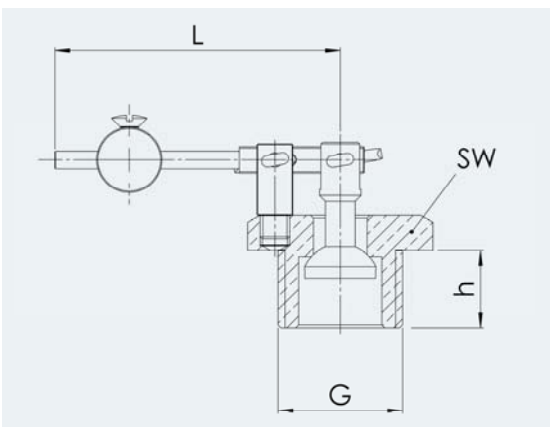
3/8" - 1"



from -10°C
to + 225°C



pressure-
less



■ MATERIALS

Component	Material	DIN EN	ASME
Body	Brass	CW617N	CW617N
Internal parts	Brass	CW617N	CW617N
Seal	Brass	CW617N	CW617N