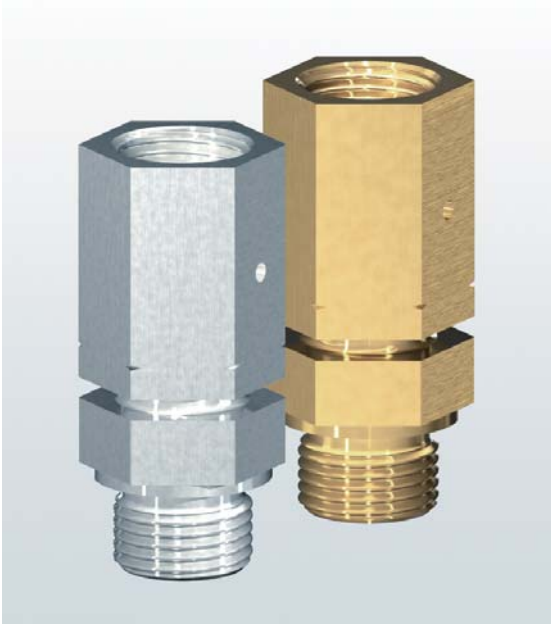


→ Locking sleeve unit

Locking sleeve unit



■ SUITABLE FOR

Liquids	neutral and non-neutral	
Air, gases and vapours	neutral and non-neutral	

■ EXAMPLES OF USE

For simple alignment and positioning of safety valves on the diverter ball valve (DBV). Available in various sizes and materials. Standard delivery oil- and grease-free with seals made of PTFE with FDA Approval.

■ SPECIFICATION



-200°C to + 200°C

■ NOMINAL DIAMETERS, CONNECTIONS, INSTALLATION DIMENSIONS

Installation dimensions, Connections, Scale												
Item	Connections			Installation dimensions in mm								
	Gi	Go	do	h	h1	H	SW1	SW2	Material	Seal	PN	DBV*
L-2125	G1/2	G1/2	12	26	14	51	27	27	1.4571	PTFE	100	DN15
L-2128	G3/4	G1/2	12	35	16	57	32	27	1.4571	PTFE	100	DN20
L-2131	G1	G1	23	35	18	63	41	41	1.4571	PTFE/Copper	100	DN25
L-2139	G1/2	G1/2	12	26	14	51	27	27	CW617N	PTFE	100	DN15
L-2142	G3/4	G1/2	12	35	16	57	32	27	CW617N	PTFE	100	DN20
L-2145	G1	G1	23	35	18	63	41	41	CW617N	PTFE/Copper	100	DN25

\*Suitable for diverter ball valves with nominal diameter

