

Type 1940 / 1945

Vent valve made of stainless steel with threaded connection

→ **Type 1940 / 1945**



■ SUITABLE FOR

Air, gases and vapours neutral



■ EXAMPLES OF USE

Vent valve for pipelines, pipeline systems, vessels and heat exchangers, in which the pressure should not fall below atmospheric pressure.

- Vessel emptying
- Protection against vacuum build-up in tanks, piping systems, heat exchangers and vessels in steam plants

■ NOMINAL DIAMETERS, CONNECTIONS, INSTALLATION DIMENSIONS

Type 1940 / 1945: Connection, Installation dimensions, Weight							
		1940			1945		
Nominal diameter	DN	15	20	25	15	20	25
	PN	40	40	40	40	40	40
Inlet / Outlet Installation dimensions in mm	G	1/2" (15)	3/4" (20)	1" (25)	1/2" (15)	3/4" (20)	1" (25)
	H	41	44	54	93	96	106
	H1	13	13	15	13	13	15
	E	37	53	69	37	53	69
	A	32	46	60	32	46	60
	SW	32	46	60	32	46	60
Weight	kg	0,19	0,40	0,85	0,35	0,64	1,41
Range of adjustment	mbar	-6	-6	-6	-100 to -800	-100 to -800	-100 to -800

■ MATERIAL



■ SPECIFICATION



1/2" to 1"



-60°C to + 225°C

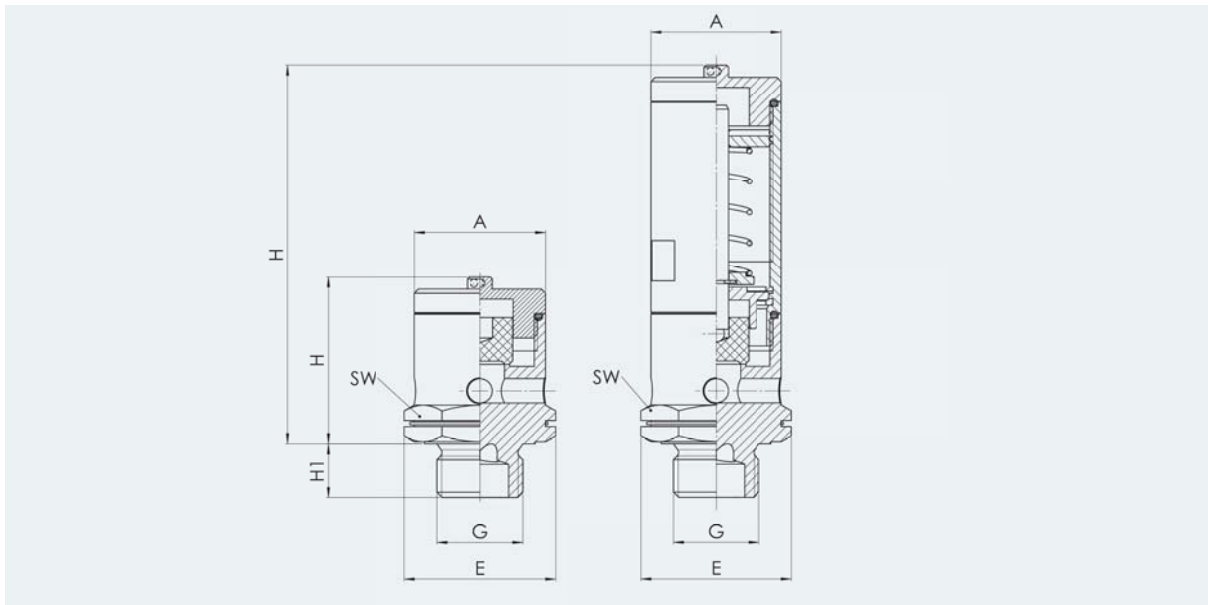


-6 mbar to -800 mbar

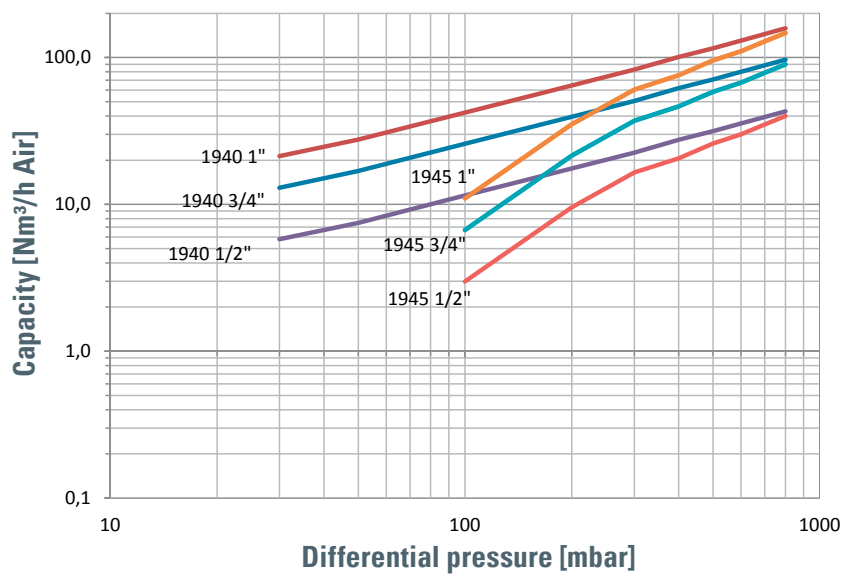
■ MATERIALS

Component	Material	DIN EN	ASME
Inlet body	Stainless steel	1.4404	316L
Outlet body	Stainless steel	1.4404	316L
Internal parts	Stainless steel	1.4404	316L
Primary Seal	PTFE / PTFE + carbon	PTFE / PTFE + carbon	PTFE / PTFE + carbon
Secondary Seal	EPDM	EPDM	EPDM

Type 1940/1945 ■ MAIN DIMENSIONS, INSTALLATION DIMENSIONS



■ CAPACITY CHART



$$\text{Conversion: Nm}^3/\text{h} \times \frac{1000}{3600} = \text{NI/s}$$

Type 1940 opening at -6 mbar (=0,994 bar abs.)

The flow rate increases with rising differential pressure.

Example size 1":

The flow rate at a differential pressure of 60 mbar amounts to 30 Nm³/h air which corresponds to 8,3 NI/s

The flow rate at a differential pressure of 200 mbar amounts to 65 Nm³/h air which corresponds to 18,1 NI/s

Type 1945 adjustable from -100 up to -800 mbar (from 0.9 to 0.2 bar abs.)

The flow rate is independent of the set pressure, however it increases with rising differential pressure.

Example size 1/2":

The flow rate at a differential pressure of 100 mbar amounts to 3 Nm³/h air which corresponds to 0.8 NI/s

The flow rate at a differential pressure of 400 mbar amounts to 20 Nm³/h air which corresponds to 5.6 NI/s.