

Overflow and pressure control valves made of gunmetal, angle-type with threaded connections
-externally adjustable-

→ Series 608



■ SUITABLE FOR

Liquids	neutral and non-neutral	
Air, gases and vapours	neutral and non-neutral	
Steam		

■ EXAMPLES OF USE

For the protection of:

- pumps against overloading in closed circuits for neutral / non-neutral, non-sticking liquids

For the control of:

- systems under pressure for neutral / non-neutral gases and vapours and – depending on the sealing material – also for steam

- pressure control valve in test rig construction
- bypass valve as pump protection
- process equipment construction
- mechanical engineering



■ MATERIAL



■ SPECIFICATION



3/8"



- 60°C to + 225°C
depending on version



0,2 – 20 bar

■ APPROVALS

European Pressure Equipment Directive

Requirements

PED 2014/68/EU

Classification society

Russian Maritime Register of Shipping RS

■ MATERIALS

Component	Material	DIN EN	ASME
Inlet body	Gunmetal	CC499K	CC499K
Outlet body	Gunmetal	CC499K	CC499K
Internal parts	Brass	CW617N	CW617N
Spring	Stainless steel	1.4310	302

t	gastight version of spring housing	for neutral and non-neutral media, not counter pressure compensated. The environment is protected from being affected by the medium. Adjustable by hand wheel under operating conditions without medium escaping into the atmosphere.
---	------------------------------------	--

Valves can be delivered unset within a pressure range or set and sealed at the factory.

■ MEDIUM

GF	gaseous and liquid	Air, vapours, gases, liquids and - depending on safety valve version and seal - also for steam
----	--------------------	--

■ TYPE OF LIFTING MECHANISM

0	without lifting device
---	------------------------

■ AVAILABLE NOMINAL DIAMETERS AND CONNECTION SIZES

Nominal diameter DN	10
Inlet	3/8" (10)
Outlet 3/8" (10)	■

■ TYPE OF CONNECTION INLET / OUTLET THREADED CONNECTIONS

f / f	Standard	Female thread BSP-P / Female thread BSP-P	DIN EN ISO 228-1 / DIN EN ISO 228-1
-------	----------	---	-------------------------------------

■ SEALS

NBR	Nitrile rubber (standard)	Elastomere flat seal 0,2 – 12 bar	-30°C to +130°C
FKM	Fluorocarbon	Elastomere flat seal 0,5 – 12 bar	-20°C to +200°C
PTFE	Polytetrafluoroethylene	Flat seal 0,2 – 12 bar	-60°C to +225°C

Against surcharge

PTFE	Polytetrafluoroethylene	Flat seal 12 – 20 bar	-60°C to +225°C
------	-------------------------	-----------------------	-----------------

■ OPTIONS

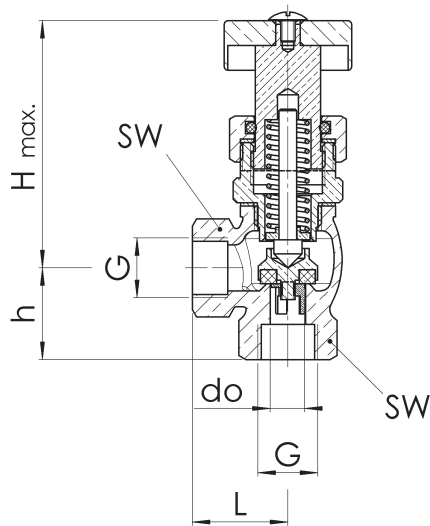
Special versions on request.

■ NOMINAL DIAMETERS, CONNECTIONS, INSTALLATION DIMENSIONS

Series 608: Connection, installation dimensions, ranges of adjustment		
Nominal diameter	DN	10
Connection DIN EN ISO 228	G	3/8" (10)
Outlet DIN EN ISO 228	G	3/8" (10)
Installation dimensions in mm	L	27
	Hmax	93
	h	26
	SW	24
	do	10
Weight	kg	0,4
Set pressure	bar	0,2-20
Range of adjustment	bar	0,2-0,8
		0,5-2,5
		2-12
		12-20 ¹

¹only available with PTFE seal against surcharge

■ MAIN DIMENSIONS, INSTALLATION DIMENSIONS



■ INDIVIDUAL SELECTION / VALVE CONFIGURATION

Series	Valve version	Medium	Lifting device	Nominal diameter DN	Connection type		Connection size		Seal	Options	Pressure range / set pressure	Quantity
					Inlet	Outlet	Inlet	Outlet				
608	t	GF	0	10	f	f	10	10	NBR		2 - 12	10
608	t	GF	0	10	f	f	10	10	PTFE		6,5	3
608	t	GF	0	10	f	f	10	10				
608	t	GF	0	10	f	f	10	10				

In this table you can configure a valve according to your individual requirements (similar to the *example* shown, which should be deleted before you enter your own data). Please complete the table by hand using the abbreviations in this datasheet and then fax it to: +49(0)7141.4889488
Please do not forget to add your personal data so that our sales team can contact you.

Name _____

First Name _____

Company _____

Telephone _____

E-Mail _____

■ CAPACITY TABLE

Series 608: Kv values at 1 bar overpressure									
Nominal diameter DN	10			10			10		
	Air [Nm³/h]			Water [m³/h]			Steam [kg/h]		
Pressure range bar	0,2 - 0,8	2 - 12		0,2 - 0,8	2 - 12		0,2 - 0,8	2 - 12	
		0,5 - 2,5	12 - 20	0,5 - 2,5	12 - 20	12 - 20	0,5 - 2,5	12 - 20	12 - 20
Set pressure bar									
0,2	49			1,6			38		
0,5	52	461		1,7	0,4		41	351	
0,8	58	471		1,7	0,4		46	361	
1,0		491			0,4			371	
1,5		501			0,4			391	
2,0		541	131		0,5	0,4		411	101
2,5		561	111		0,5	0,4		431	8,51
3,0			81			0,4			6,21
4,0			71			0,4			5,41
5,0			41			0,4			3,11
6,0			31			0,4			2,31
7,0			<1			0,5			<1
8,0			<1			0,4			<1
9,0			<1			0,4			<1
10,0			<1			0,4			<1
11,0			<1			0,3			<1
12,0			<1	<1		0,3	0,2		<1
13,0			<1				0,2		<1
14,0			<1				0,2		<1
15,0			<1				0,1		<1
16,0			<1				0,1		<1
17,0			<1				0,1		<1
18,0			<1				0,1		<1
19,0			<1				0,1		<1
20,0			<1				0,1		<1

*Capacity at 2 bar overpressure